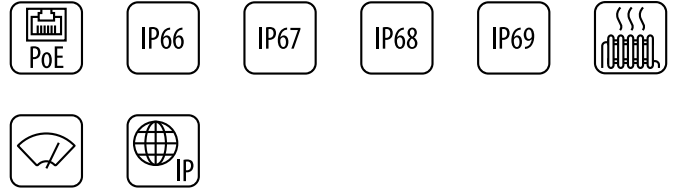


# NXM36 HI-POE

HOUSING FOR IP CAMERAS FOR INSTALLATION IN AGGRESSIVE ENVIRONMENTS



NXM36 HI-POE



NXM36 HI-POE

## DESCRIPTION

The NXM36 Hi-PoE housing has been developed for installations in highly corrosive areas such as industrial chemical, petrochemical, marine, naval and offshore platforms. Entirely made from electropolished and passivated AISI 316L stainless steel for maximum protection against deterioration.

The IP66/IP67/IP68/IP69 level guarantees complete protection against bad weather and water immersion.

The NXM36 Hi-PoE housing exploits the PoE and Hi-PoE technology in an optimal way, using the power provided by the Ethernet cable as the sole source of electricity to power the network camera along with heating/demisting.

NXM36 Hi-PoE provides high reliability and flexibility of the network installation and simplifies installation operations with important cost reduction.

NXM36 Hi-PoE can be configured via a dip switch according to the PoE or Hi-PoE standards depending to the system requirements.

The accessories of wiper and water pump ensure a constant cleaning of the front window.

The NXM36 Hi-PoE housing can be installed on NXPTH Pan & Tilt head, to obtain a complete positioning system.

## MAIN FEATURES

Made of AISI 316L electropolished stainless steel

PoE/Hi-PoE to power heater & network camera

Category 5e shielded power cable

Compatible with IEEE 802.3af, IEEE 802.3at/PoE Plus

IP66/IP67/IP68/IP69

Cylindrical body enclosed by two 6mm(0.24in)-thick circular flanges

2 PG13.5 cable glands in nickel-plated brass for external connections

## MECHANICAL

The housing is in austenitic alloy stainless steel, corrosion and heat resistant according to the following standards:

- AISI 316L
- UNI 6900-71: X 2 Cr Ni Mo 17 12 2
- DIN 17006: X 2 Cr Ni Mo 17 13 2
- N° werkstoff 1.4404
- AFNOR: Z2 CND 17-12
- BSI: 316S11

The screws utilised are in austenitic alloy stainless steel, corrosion and heat resistant according to the following standards:

- ISO: 7380
- AISI: 316
- ISO quality: A4
- Resistance class ISO: from 50 to 70

External body polishing

Flange thickness (front/back): 6mm (0.24in)

External dimensions (ØxL): 154x358mm (6.1x14.1in)

Internal usable area (WxH): 88x86mm (3.5x3.4in) (front surface dimensions), 88x86mm (3.5x3.4in) (rear surface dimensions)

Internal usable length (with heater): 210mm (8.3in)

Cable glands: 2xPG13.5 (nickel-plated brass for external connections)

Gaskets: High sealing O-ring

Unit weight: 5kg (11lb)

## HOUSING'S WINDOW

Window with extra clear tempered glass

- Usable diameter: 97mm (3.8in)
- Thick: 4mm (0.16in)

## ELECTRICAL

Power absorbed in input/Available power for camera (selectable with dip-switch)

- PoE input Class 3 (13W): PoE camera Class 2 (7W)
- Hi-PoE input Class 4 (25W): PoE camera Class 3 (13W)

Data line: 10/100Base-T

Heater

- PoE input Class 3: 3W, Ton 15°C±3°C (59°F±5°F), Toff 22°C±3°C (72°F±5°F)
- Hi-PoE input Class 4: 7W, Ton 15°C±3°C (59°F±5°F), Toff 22°C±3°C (72°F±5°F)

Demisting: 1W

Compatible with IEEE 802.3af, IEEE 802.3at/PoE Plus

## ENVIRONMENT

For installation indoors and outdoors

Operating temperature (with wide range cameras, in Hi-PoE version Hi-PoE): from -20°C (-4°F) up to +60°C (140°F)

## CERTIFICATIONS

Electrical safety (CE): EN60065

Electromagnetic compatibility (CE): EN50130-4, EN61000-6-3

IP protection degree (EN60529):

- IP66
- IP67
- IP68
- IP69

EAC certification

## ACCESSORIES

OHEPOWINJ	Hi-PoE Power Injector, 1 channel
VIPNX1C	230Vac stainless steel wiper for NXM housing
VIPNX2C	24Vac stainless steel wiper for NXM housing
WASOV5L5M00	Water tank 5l (1.3gal), pump with delivery up to 5m (16ft), IN 230Vac-24Vac-120Vac
WASOV23L5M00	Water tank 23l (6 gal), pump with delivery up to 5m (16ft), IN 230Vac-24Vac-120Vac
WASOV23L11M00	Water tank 23l (6 gal), pump with delivery up to 11m (36ft), IN 230Vac-24Vac-120Vac
WAS1V23L30M00	Water tank 23l (6 gal), pump with delivery up to 30m (98ft) with water floating, IN 230Vac
WAS3V23L30M00	Water tank 23l (6 gal), pump with delivery up to 30m (98ft) with water floating, IN 120Vac
WASPTOV5L5M00	Water tank 5l (1.3gal), pump with delivery up to 5m (16ft), IN 230Vac-24Vac-120Vac
WASPTOV23L5M00	Water tank 23l (6 gal), pump with delivery up to 5m (16ft), IN 230Vac-24Vac-120Vac
WASPTOV23L11M00	Water tank 23l (6 gal), pump with delivery up to 11m (36ft) with water floating, IN 230Vac-24Vac-120Vac
WASPT1V23L30M00	Water tank 23l (6 gal), pump with delivery up to 30m (98ft) with water floating, IN 230Vac
WASPT3V23L30M00	Water tank 23l (6 gal), pump with delivery up to 30m (98ft) with water floating, IN 120Vac
DTWRX	Data receiver for remote control of the wiper and WASPT range pumps in stand-alone housings
WASN1V10L20M00	Tank 10l (2.6gal) with integrated manual pump controlled by solenoid valve, delivery head up to 20m (66ft) max, IN 230Vac
WASN2V10L20M00	Tank 10l (2.6gal) with integrated manual pump controlled by solenoid valve, delivery head up to 20m (66ft) max, IN 24Vac
WASN3V10L20M00	Tank 10l (2.6gal) with integrated manual pump controlled by solenoid valve, delivery head up to 20m (66ft) max, IN 120Vac

## BRACKETS AND ADAPTORS

NXWBS1	AISI 316L stainless steel wall bracket with joint
NXC0L	AISI 316L stainless steel pole adapter module
NXCW	AISI 316L stainless steel corner adapter module

## RELATED PRODUCTS

NXPTH	Stainless steel P&T motor
-------	---------------------------

## SPARE PARTS

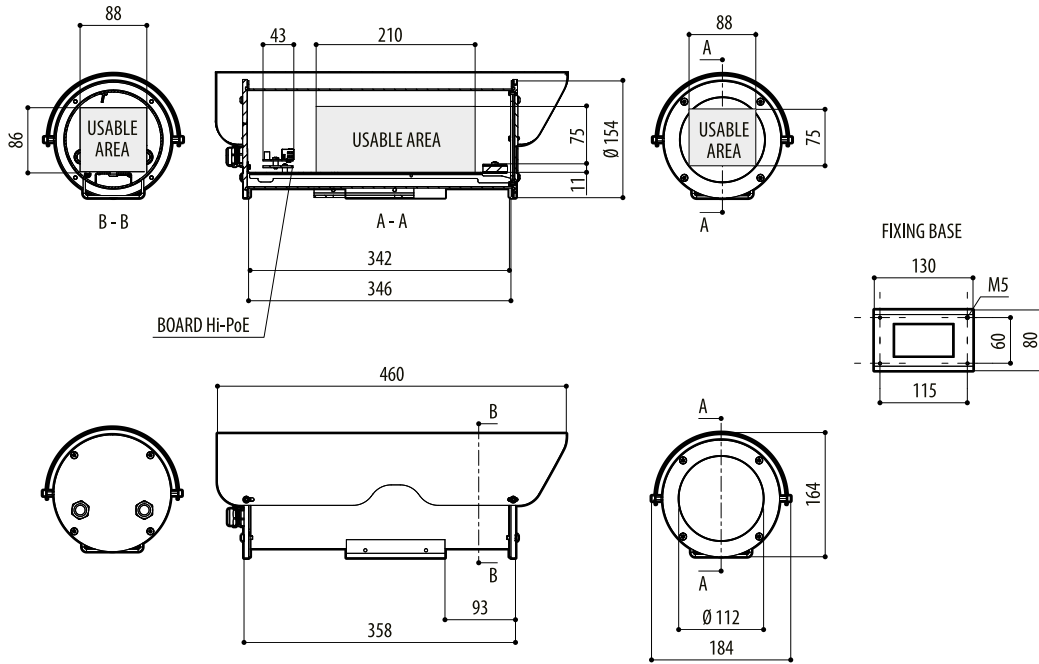
OSPAPVNPXMC	Complete blade for VIPNX wiper
-------------	--------------------------------

## PACKAGE

Model Number	Weight	Dimensions (WxHxL)	Master carton
NXM36K2700	6.4kg (14lb)	29.5x19.5x49cm (11.6x7.7x3.8in)	-
VIPNX	1.9kg (4.2lb)	14.5x15x27cm (6x6x11in)	15

# TECHNICAL DRAWINGS

The dimensions of the drawings are in millimetres.



NXM36 HI-POE